

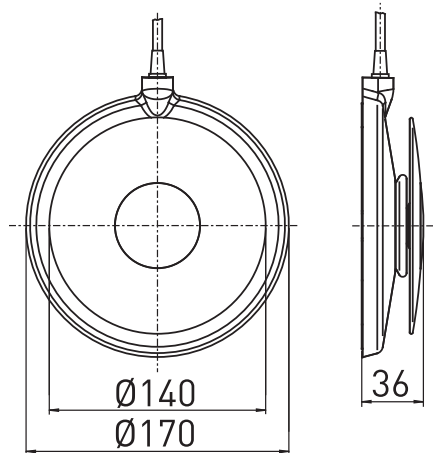
# 1-pedal medical foot-operated controls // RF-MED

.steute

## Features/Options

- all side actuation
- high mechanical stability
- non-contact switching systems
- reed contacts for small currents
- class AP
- GM (approved medical device, TÜV)
- plug-in connector
- special labels
- different RAL colours

## Technical drawing



## Technical data

<b>Standards</b>	IEC 60601-1; UL 60601-1; IEC 60529; MPG 93/42/EEC
<b>Switching plate</b>	GK-Al alloy, RAL 7035
<b>Enclosure</b>	GD-Al alloy, RAL 7035
<b>Protection class</b>	IP X5 per IEC 60529, up to IP X8 as option
<b>Switching element</b>	reed contact / micro switch
<b>Switching system</b>	1 - 2 NO contacts / 1 change-over contact
<b>Mechanical life</b>	> 1 million operations
<b>Termination</b>	2 m cable, other lengths optionally available
<b>Switching voltage</b>	max. 25 VAC/60 VDC
<b>Switch-on current</b>	max. 1 A / max. 5 A
<b>Switching power</b>	max. 30 VA/max. 1250 VA