

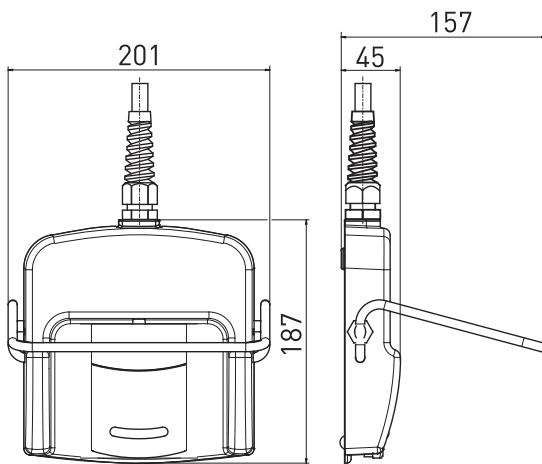
1-pedal medical foot-operated controls // MKF-MED GP12

.steute

Features/Options

- high mechanical stability
- non-contact switching systems
- reed contacts for small currents
- digital or analogue output signals
- additional push-buttons
- LEDs
- hinged stainless steel protective bracket
- wireless signal transmission
- class AP
- GM (approved medical device, TÜV)
- plug-in connector
- pressure point
- special labels
- different RAL colours

Technical drawing



Technical data

Standards	IEC 60601-1; UL 60601-1; IEC 60529; MPG 93/42/EEC
Pedal	shock-proof thermoplastic, UL 94-V0/-V2
Console	GK-Al alloy, RAL 7035
Protection class	IP X5 per IEC 60529, up to IP X8 as option
Switching element	reed contact / micro switch / Hall sensor
Switching system	1 - 2 NO contacts / 1 change-over / analogue output 0 ... 10 VDC, 0 ... 20 mA, 4 ... 20 mA
Mechanical life	> 1 million operations
Termination	2 m cable, other lengths optionally available
Switching voltage	max. 25 VAC/60 VDC
Switch-on current	max. 1 A/max. 5 A
Switching power	max. 30 VA/max. 1250 VA
Supply voltage Hall sensor	15 ... 30 VDC/max. 25 mA