

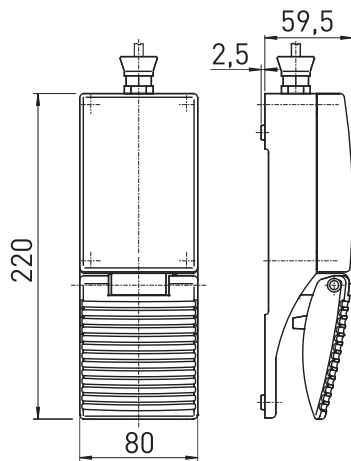
1-pedal medical foot-operated controls // MGF-MED

.steute

Features/Options

- high mechanical stability
- easy-to-clean
- digital or analogue output signals
- additional push-buttons
- protective bracket
- wireless signal transmission
- class AP
- GM (approved medical device, TÜV)
- plug-in connector
- pressure point
- special labels
- different RAL colours

Technical drawing



Technical data

Standards	IEC 60601-1; UL 60601-1; IEC 60529; MPG 93/42/EEC
Enclosure	GD-Al alloy, enamel finish RAL 7035
Pedal	GD-Al alloy, enamel finish RAL 7035
Protection class	IP X5 per IEC 60529, up to IP X8 as option
Switching element	switch insert, positive break, gold contacts / Hall sensor / potentiometer
Switching system	slow action: 1 NC/1 NO contact or 2 NC/2 NO contacts/ analogue output 0 ... 10 VDC, 0 ... 20 mA, 4 ... 20 mA
Output value poti	20 Ω ... 1 k Ω \pm 3 %; 20 Ω ... 2 k Ω \pm 3 %; 50 Ω ... 5 k Ω \pm 3 %; 100 Ω ... 10 k Ω \pm 3 %
Linearity	\pm 0,5 %
Mechanical life	> 1 million operations
Termination	2 m cable, other lengths, optionally available
Switching voltage	max. 25 VAC/60 VDC
Switch-on current	max. 5 A
Switching power	max. 1250 VA
Supply voltage Hall sensor	15 ... 30 VDC/max. 25 mA